



SF-P70

sistemas para puertas correderas

Poligono Industrial Foradada - 08580 - Sant Quirze de Besora (Barcelona)
Telf. 34-93.852.92.23
Export. Telf. 34-93.852.96.15
e-mail: saheco@saheco.com - web: www.saheco.com

MADE IN E.U.

GRUPO TORREMAT

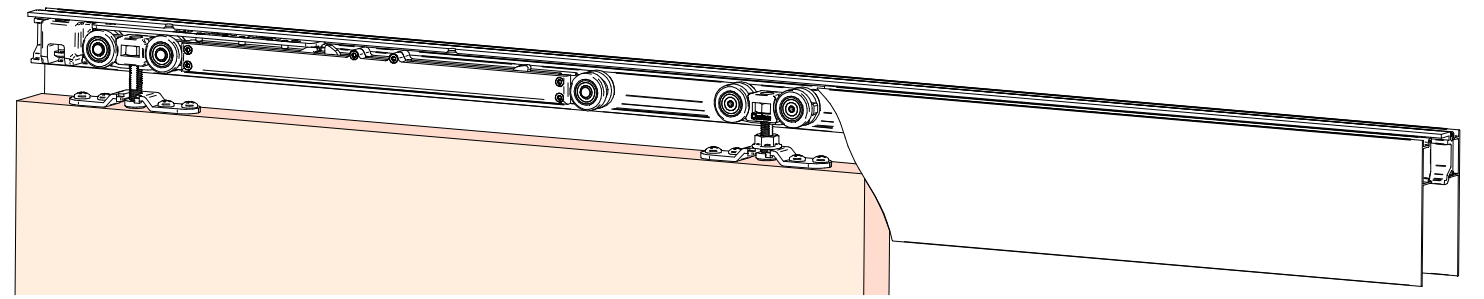


Gener 2024

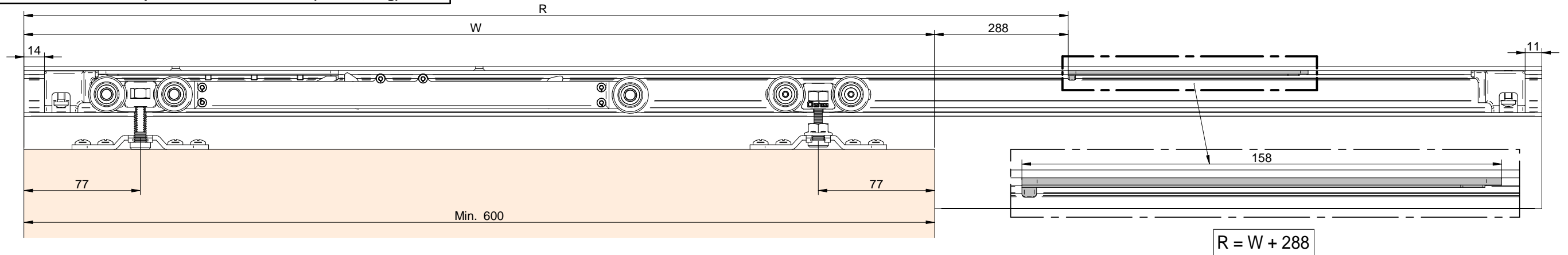
038060890

CODE: 007214

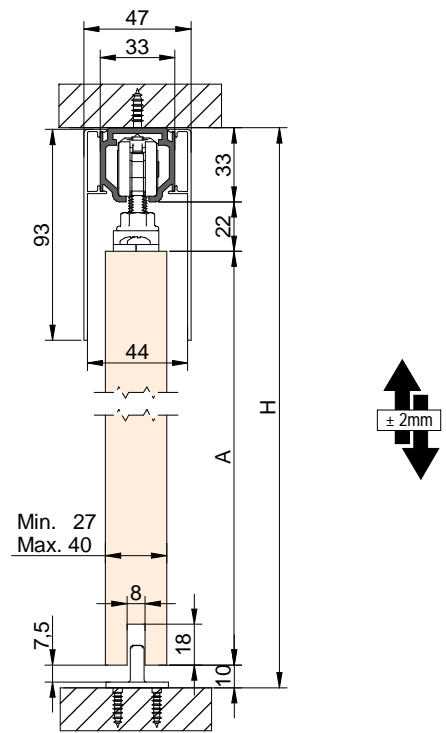
a		1	e		2
b		2	f		1
c		8	g		4
d		1	h		1
			i		2



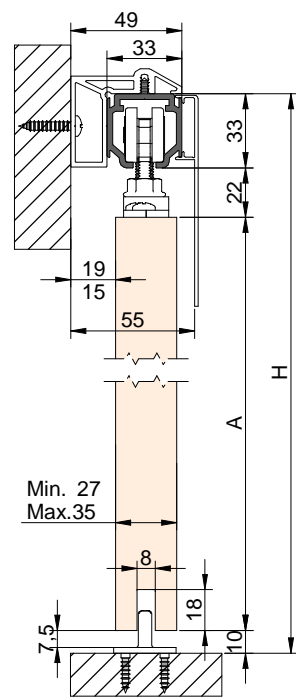
FUERZA ABRIR/CERRAR · Opening/closing force = $29 \pm 1N$ ($2.9 \pm 0,1$ Kg)
FUERZA DESPLAZAR · Displacement force = $9 \pm 1N$ ($0.9 \pm 0,1$ Kg)



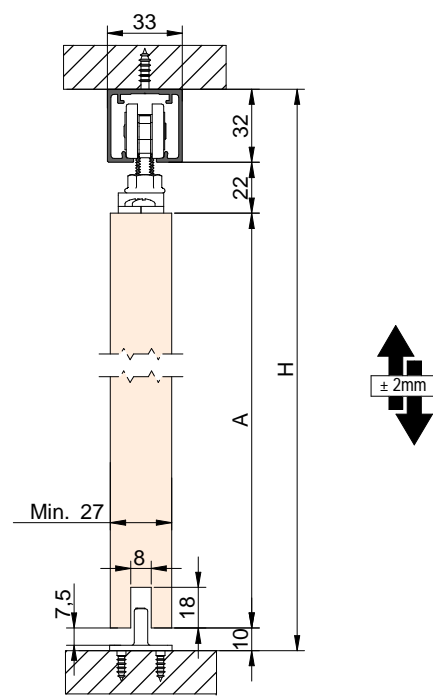
PERFIL EXCELLENCE / Track Excellence / Profil Excellence



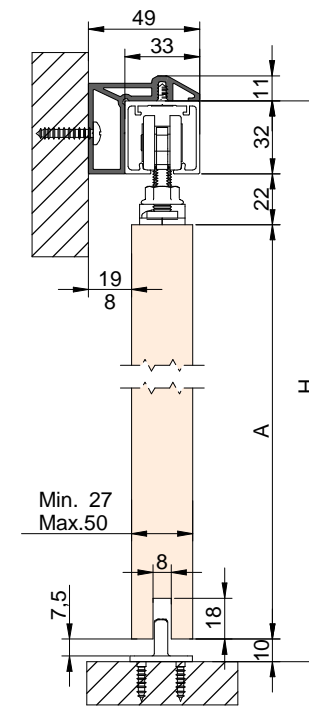
A= H-65



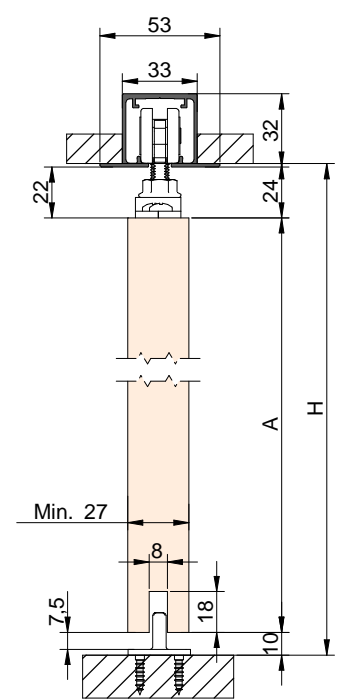
PERFIL STAR / Track Star / Profil Star



A= H-65

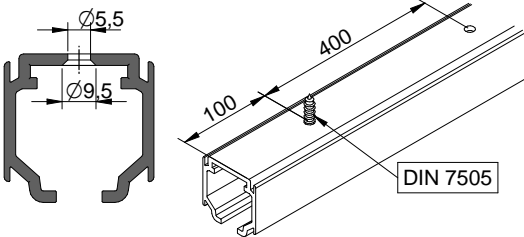


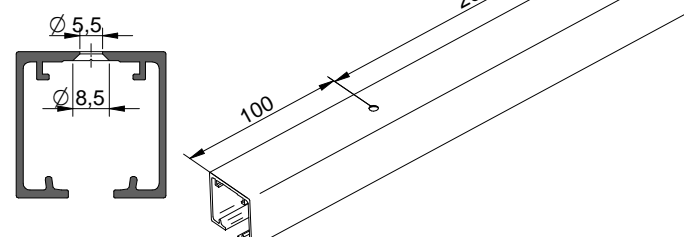
PERFIL STAR FALSO TECHO / Star Track False Ceiling / Profil Star pour plaques en plâtre



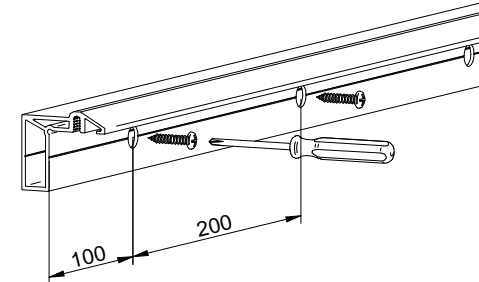
A= H-34

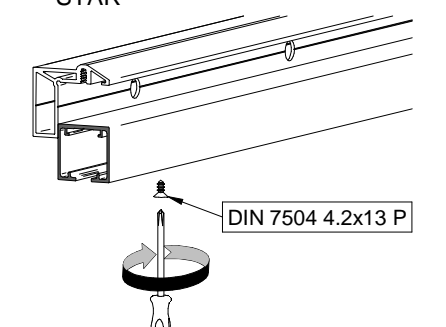
1 MONTAJE A TECHO / Ceiling mount / Fixation à plafond

EXCELLENCE

 Ø5.5
 Ø9.5
 100
 400
 DIN 7505

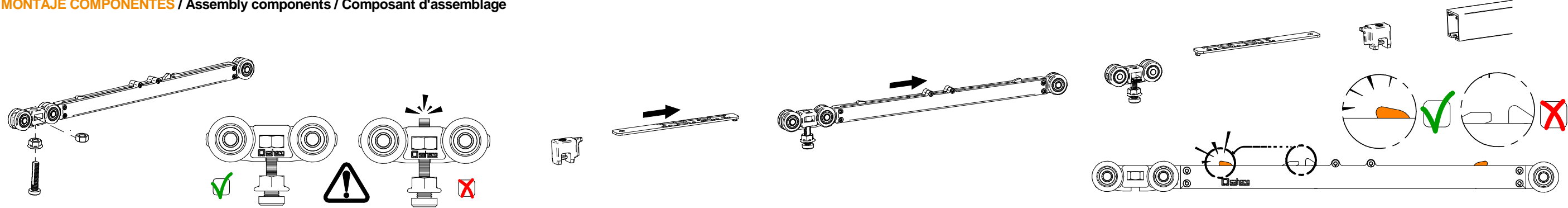
STAR

 Ø5.5
 Ø8.5
 100
 200

2 MONTAJE A PARED + PERFIL SEPARADOR / Wall mount + full width side fixing profile / Fixation à plafond + profil séparateur


EXCELLENCE

 100
 200
 DIN 7504 4.2x13 P

STAR

 DIN 7504 4.2x13 P

3 MONTAJE COMPONENTES / Assembly components / Composant d'assemblage

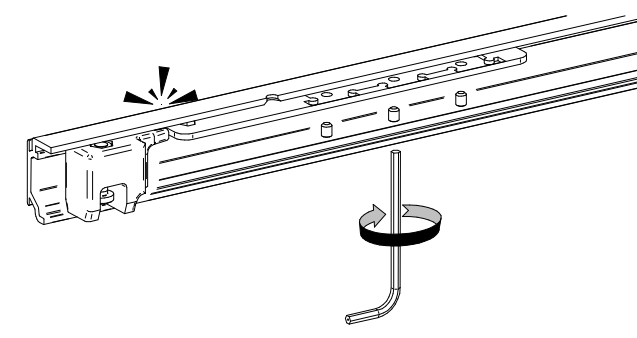


4 FIJAR TOPE MECANICO / Stopper / Régler l'arrêt mécanique

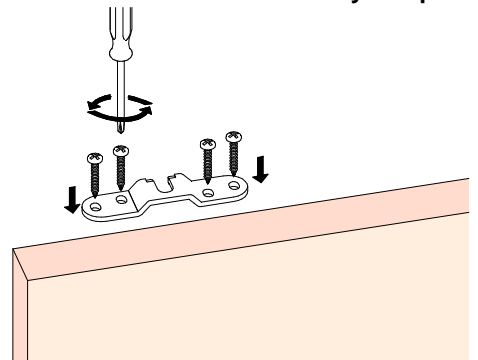


PARALELISMO IMPORTANTE
 important parallelism
 parallélisme important

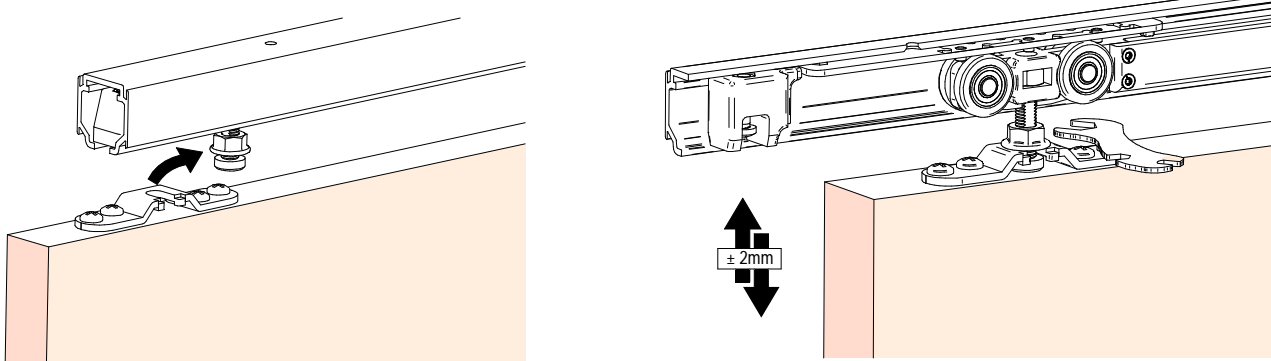
5 MONTAJE ACTIVADOR / Assembly activator



6 MONTAJE COMPONENTES / Assembly components

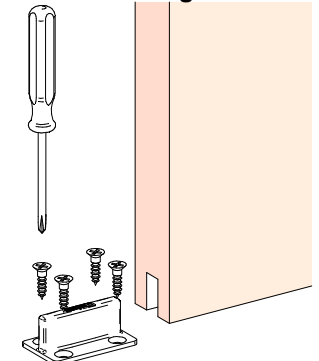


7 INSTALACION PUERTA / Door Installation

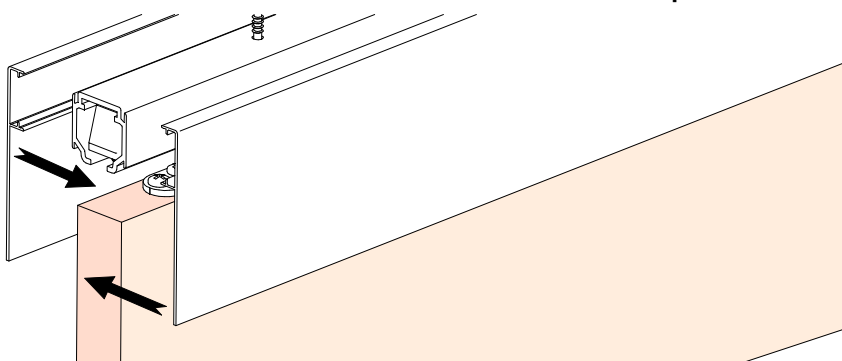


± 2mm

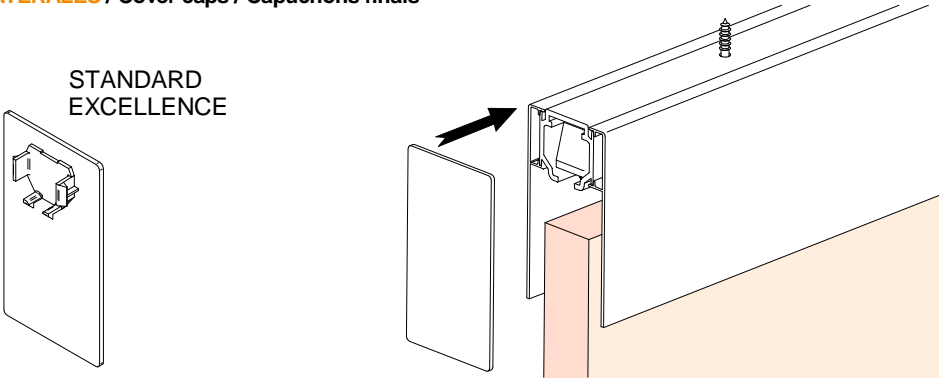
8 GUIADOR / Bottom guide

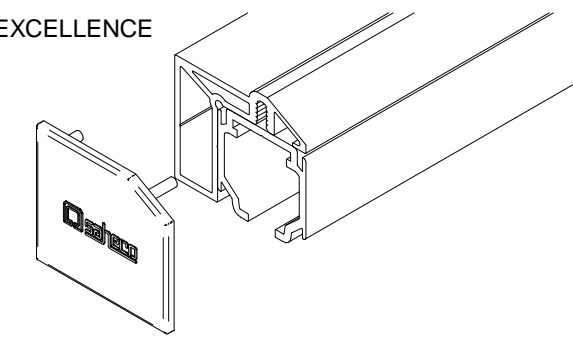


9 MONTAJE TAPETA FRONTALES / Frontal Alu Covers / Bandeau à clipser sur rail



10 TAPETAS LATERALES / Cover caps / Capuchons finals

STANDARD EXCELLENCE


EXCELLENCE


STAR
