

Router Multijig instructions

The Multijig is designed to help rebate the Button-fix Type 1, Type 1 Bonded, Type 1 Flush, and Type 1 Metal Fixes. **It should be used with a metric Ø12mm cutter and a Ø16mm guide bush.**

Aperture selection

The Multijig has three clearly labelled apertures: the first aperture is for the Type 1 Metal; the second for the Type 1 Fix and the Type 1 Bonded; and the third aperture is for the Type 1 Flush. There are guide lines marking the finished Button centre position, vertical centre-lines, and graticules at 5mm intervals to assist setting out.

There are Ø3mm holes for marking/drilling screw fixing pilot holes if required, for the Type 1 Fix and the Type 1 Metal.

Rebate on a panel face

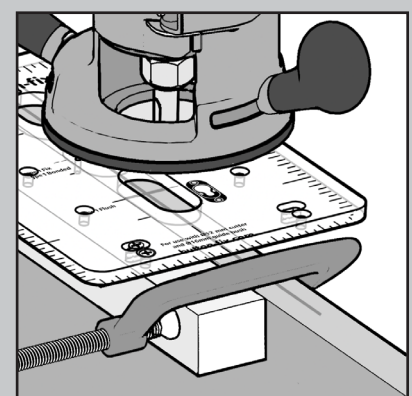
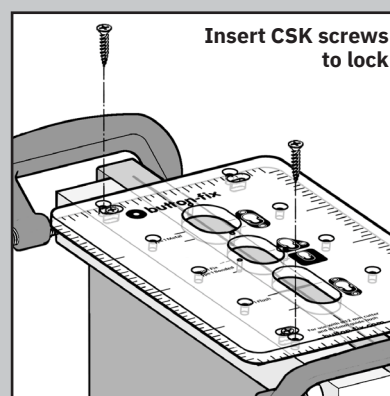
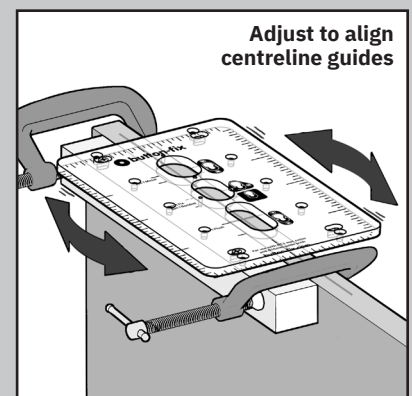
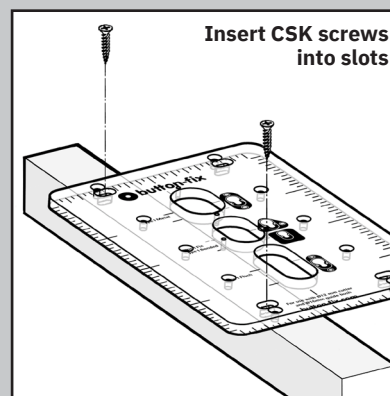
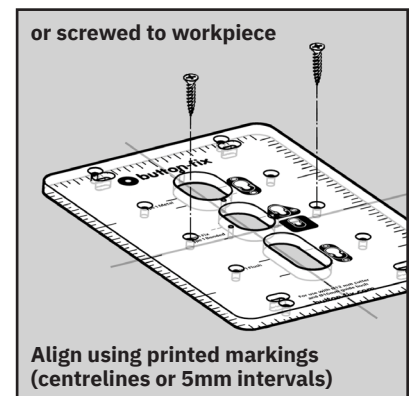
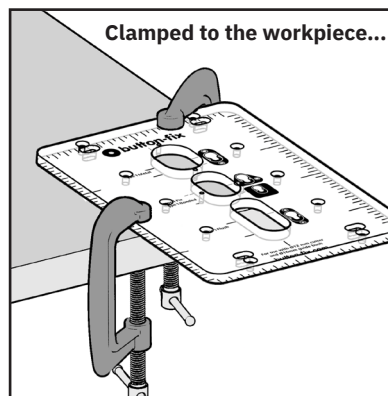
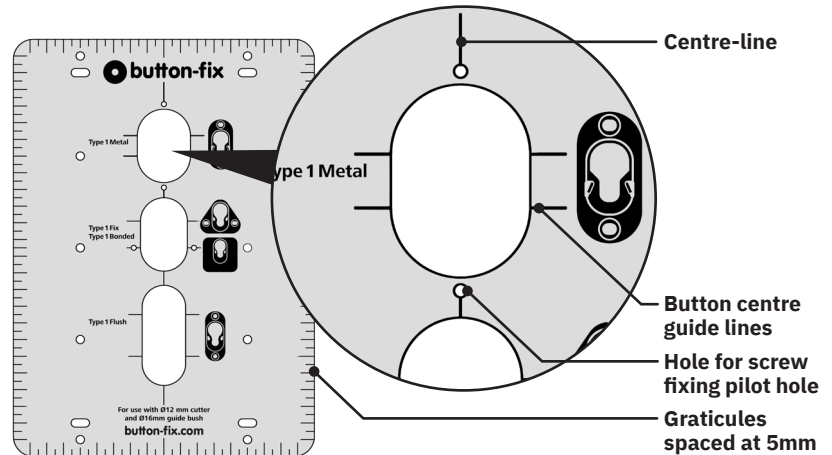
When rebating the Fix into the panel face, align the Multijig in the desired position. Secure the Multijig to the workpiece either with clamps or with two countersunk screws (Ø4.5mm/No. 8 screw maximum). Ensure screw heads are flush/sub-surface to avoid fouling the router. Do not overtighten!

Rebate on a panel edge

The Type 1 Flush Fix can be rebated into the edge of a panel of at least 28mm thick. To use the Multijig for this application, first loosely screw a planed timber batten to the underside of the Multijig with two countersunk screws, fixing through the slotted holes.

Next, securely clamp the batten to the workpiece and adjust the Multijig until the centreline guides align. Once aligned, lock the Multijig to the batten with two more countersunk screws.

Always ensure that the Multijig assembly is stable and secure before routing the panel. Avoid any contact with aggressive solvents and cleaning products.



Please visit our website for more information about the Multijig and other products in the Button-fix range.